



Please read instructions before commencing installation and retain for future reference.

⚠ Electrical products can cause death, injury, or property damage. Maintenance and installation should only be carried out by a professional electrician.

Surface Mounting

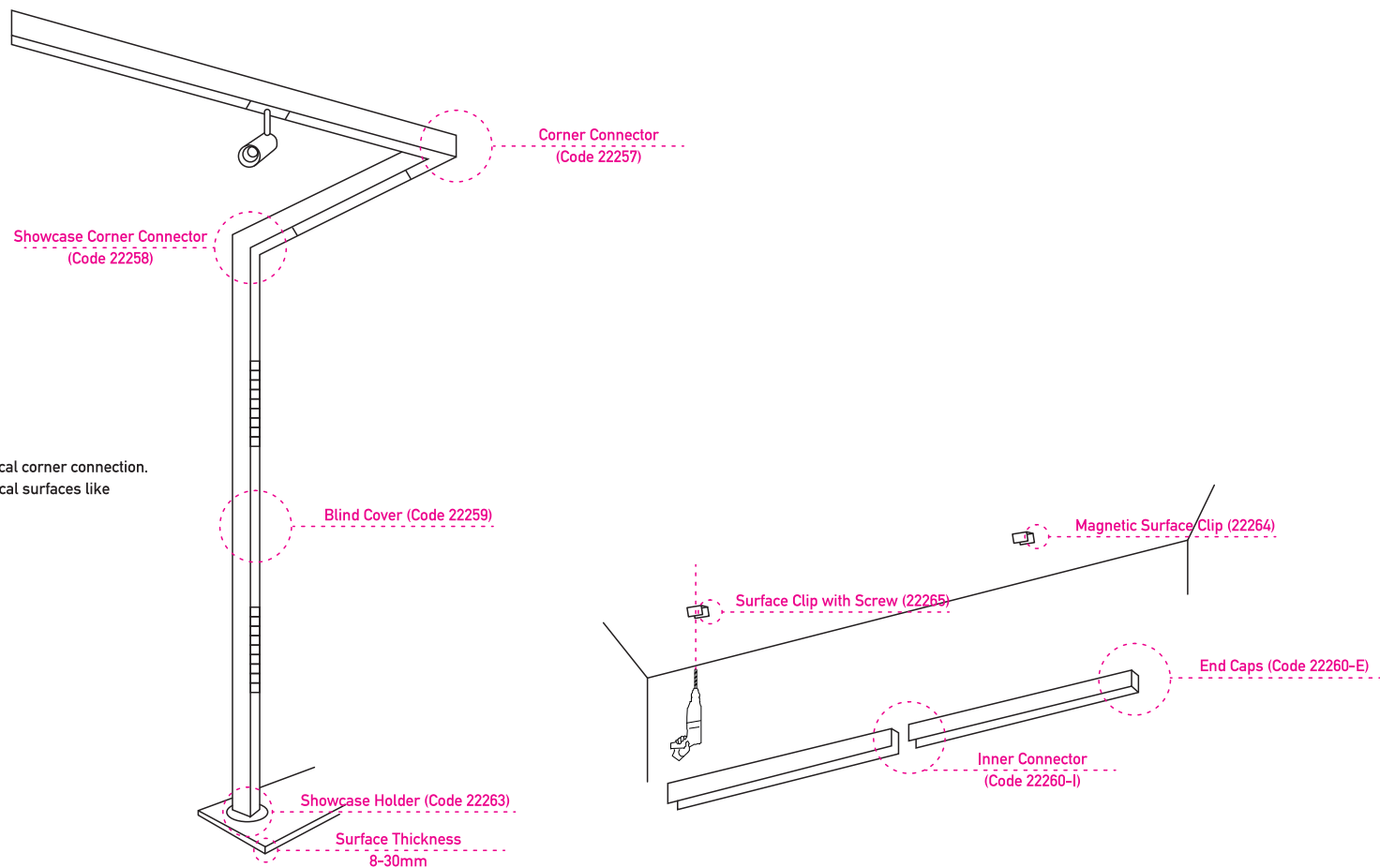
Step 01.: Add magnetic surface clip (22264) for mounting on metal surfaces or surface clip with screw (22265) for mounting on non-metal surfaces. Push the magnetic track on the mounting clips and create your track.

Step 02.: Connect more than one mini track with an inner connector (22260-I), create horizontal corner connection with corner connector (22257). It would be best to use a showcase corner connector (22258) to create a vertical corner connection. Use the showcase holder (22263) to start a vertical line connection from vertical surfaces like wooden or metal tables etc. with the minimum thickness of 8mm and a maximum thickness of 30mm.

Step 04.: Give and transfer power through your 24V mini surface magnetic system needs a 24V Driver between the main power and your track system. At the start of the system add a power feeder (22260) then connect all the tracks with the indicated connectors (22260, 22260-I, 22258, 22257).

Step 05.: When your 24V Mini Surface Magnetic System completed add the lighting fixtures that you need just by pushing them into the magnetic tracks.

Step 06.: At the end of the track system close the open sides with end caps (22260-E) and cover the unlit gaps with the blind cover (22259).



WARNING

⚠ Make sure that the products are installed properly before connecting to electricity. Do not cover the luminaire. Do not exceed the maximum wattage rating of the lamp. If the light source is contained in this luminaire (integrated LED), it shall only be replaced by the manufacturer, his service agent, or a similarly qualified person.

